



DANTE 19" X 16" X 6 1/2"  
PORCELAIN ENAMEL  
OVAL LAVATORY



3003 130      CENTERSET PUNCH, FLAT-RIM

*DESCRIPTION:*

Dante 19" x 16" oval flat-rim porcelain enamel lavatory with 4" center-sets, sits even with the counter-top flat mounting surface with soap depressions accommodates the latest faucet designs - requires a stainless steel mounting rim (not included) weighs 10 lbs - acid resistant porcelain enameled steel - plastic overflow eliminates pop-offs and rust - installation template printed on shipping carton. This product is compatible or complies with ASME A112.19.1/CSA B45.2 (Standard for Enameled Steel Plumbing Fixtures), WW-P 541 (U.S. Military Federal Specification), HUD-FHA-VA, LEED, and the Buy American Act, as applicable when installed accordingly. Available in white. Faucets and stainless rim not included. Made in the USA.

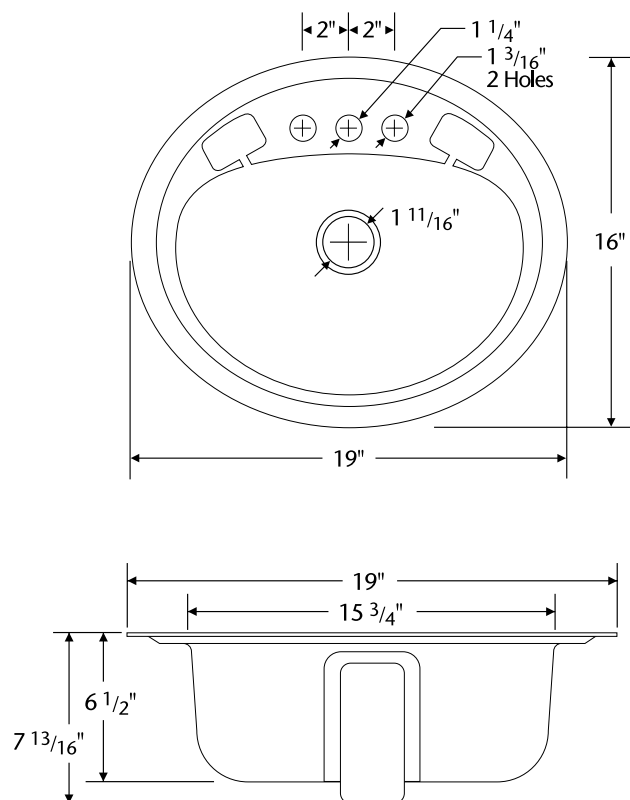
Weight: 10 lbs



# DANTE 19" X 16" X 6 1/2" PORCELAIN ENAMEL OVAL LAVATORY

## Dante Oval Lavatory 19" x 16"

3003 130 Centerset punch, flat-rim



### Complies with:

All fixtures are compatible or comply with ANSI, ASME, CSA, WW-P 541, HUD-FHA-VA, LEED and the "Buy America Act" where applicable when installed accordingly.

### Standard Features:

"The affordable alternative to cast iron"  
Full length sound deadening pad  
Slip resistant bottom  
Set it and level it

### Made in the USA

All Dimensions +/- 1/8" unless otherwise noted.  
Dimensions shown are for reference.  
Actual dimensions may vary slightly and should be checked prior to installation