

## **PENDANT<sup>PLUS</sup> PORCELAIN ENAMEL 60" x 30" x 16 5/8" BATHTUB**



2520 RH Drain, Slip-Resistant  
2521 LH Drain, Slip-Resistant

### DESCRIPTION:

The Pendant<sup>Plus</sup> is a 60" x 30" x 16 5/8" deep soaker – 2" deeper than the standard 5' bathtub. The Pendant<sup>Plus</sup> bathing area is full size with a 15" soaking depth. The Pendant<sup>Plus</sup> has a 35 degree lumbar support for a more comfortable bathing experience. Construction is one piece heavy gauge seamless steel with an acid resistant porcelain enamel finish. The Pendant<sup>Plus</sup> weighs 74 lbs., easy to install into bathtub alcove - "just set it and level it". The full length support pad offers added strength and sound deadening. This product is compatible or complies with ASME A112.19.1/CSA B45.2 (Standard for Enameled Steel Plumbing Fixtures), ADA (American Disabilities Act), ASTM F 462 (Safety Specification for Slip Resistant Bathing Facilities), WW-P 541 (U.S. Military Federal Specification), HUD-FHA-VA, LEED, and the Buy American Act, as applicable when installed accordingly. Available in white, bone and biscuit colors with a right and left drain. Made in the USA.

Weight: 74 lbs



# PENDANT<sup>PLUS</sup> PORCELAIN ENAMEL 60" x 30" x 16 5/8" BATHTUB

## Pendant<sup>Plus</sup> 5' Bathtub

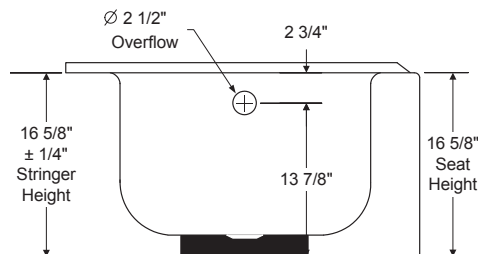
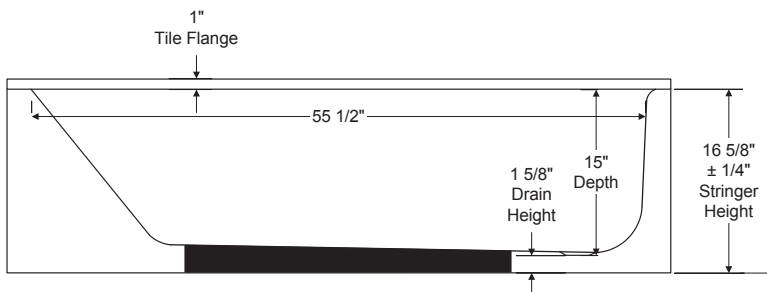
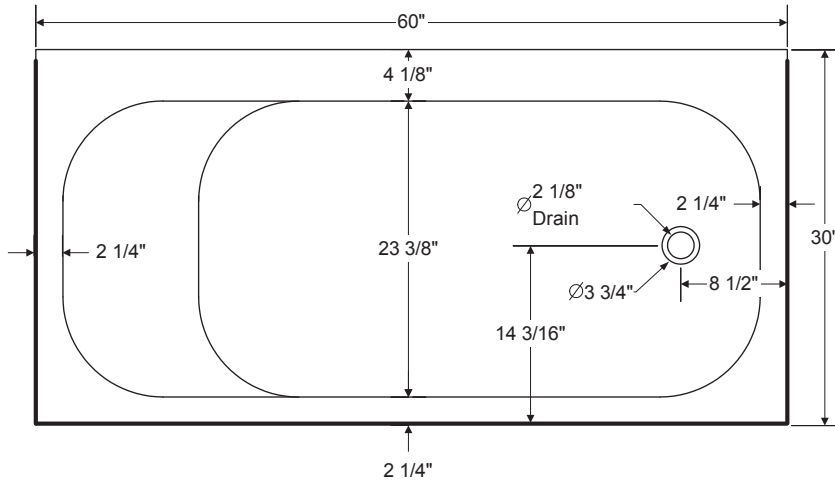
60" x 30" x 16 5/8"

Weight: 74 lbs

Standard Outlet

2520 RH Drain, slip-resistant

2521 LH Drain, slip-resistant



### Complies with:

All fixtures are compatible or comply with ANSI, ASME, CSA, WW-P 541, HUD-FHA-VA, LEED and the "Buy America Act" where applicable when installed accordingly.

### Standard Features:

- Full length sound deadening pad
- Slip resistant bottom
- Set it and level it

Made in the USA

All Dimensions +/- 1/8" unless otherwise noted. Dimensions shown are for reference.

Actual dimensions may vary slightly and should be checked prior to installation



812.423.5401 | www.briggsbath.com